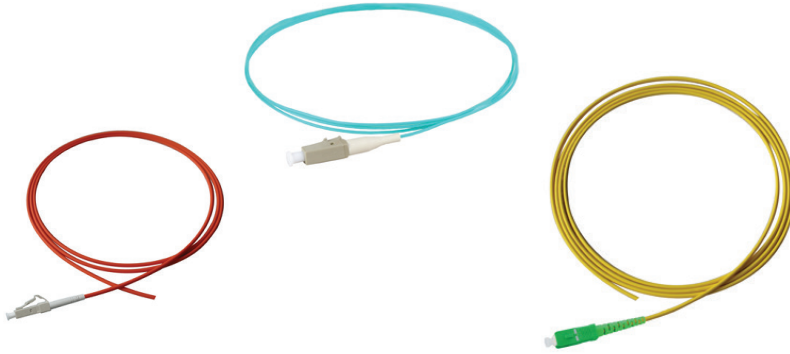


OPTIC FIBER PIGTAILS



D-Link offers quality pigtails which are single ended with connectors. D-Link pigtails come with good end face geometry, full standard optical specifications, precise length and tolerances. The pre-polished pigtails give the quality, confidence and convenience to be installed and spliced in the field.

FEATURES & BENEFITS

- Adopts high precision ceramic ferrule with good concentricity.
- Advanced termination facilities & process, deliver good geometry characteristics of apex offset & radius of curvature & fiber height.
- 100% inspected for optical characteristics & fiber end face finish
- Low insertion loss & return loss, clean and scratch-free end faces.
- Good performance endurance under circumstances changing.

SPECIFICATION

| | | | |
|--------------------------|---------------------|--|--|
| Connector Type | | SC/ST/FC/LC | |
| Optical Fiber | | Single-mode G652D, G657A | Multi-mode OM1, OM2, OM3, OM4 |
| Cable Type | | PVC & LSZH on request, OFNR or OFNR LSZH with kevlar for the APC type 0.9mm/2.0mm/3.0mm Simplex | |
| Cable Color, Length | | Yellow for single mode, orange for multi-mode & aqua for OM3, erika for OM4 1m, 2m and 3m. Other lengths on request. | |
| Optical Specification | Insertion Loss | Typical: $\leq 0.2\text{dB}$, Max. 0.3dB (MTRJ): Max. 0.5dB | Typical: $\leq 0.2\text{dB}$, Max. 0.3dB (MTRJ): Max. 0.5dB |
| | Return Loss | PC $\geq 45\text{dB}$, UPC $\geq 50\text{dB}$, APC $\geq 60\text{dB}$ | $\geq 30\text{dB}$ |
| Mechanical Specification | Ferrule | Ceramic, (MTRJ): PS-Polyphenylene Sulphide) | |
| | Repeatability | $\leq 0.2\text{dB}$ 1,000 times mating cycles | |
| | Apex Offset | < 50um | |
| | Fiber Height | $\pm 100\text{nm}$ | |
| | Radius of Curvature | 7mm R < 25mm(Excluding MTRJ) | |
| Working Temperature | | -40°C ~ +85°C | |
| Storage Temperature | | -40°C ~ +85°C | |

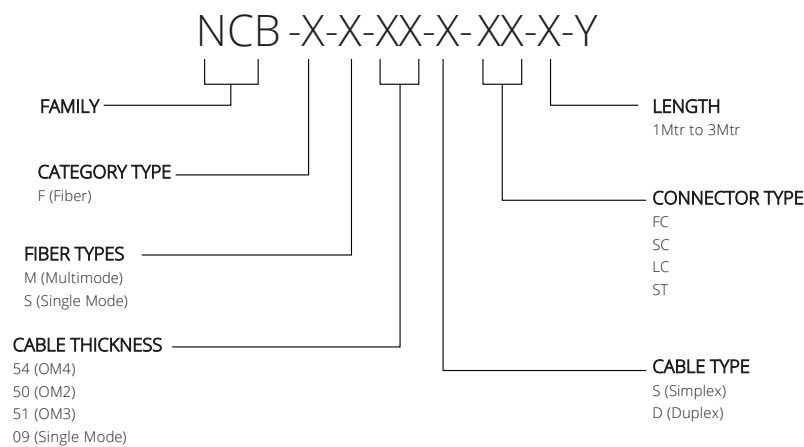


OPTIC FIBER PIGTAILS

ORDERING INFORMATION

| TYPE-LENGTH** | SINGLE MODE (09μM) | MULTIMODE (OM2-50μM) | MULTIMODE (OM3-51μM) | MULTIMODE (OM4-51μM) |
|-------------------|--------------------|----------------------|----------------------|----------------------|
| SIMPLEX-1M | | | | |
| | NCB-FS09S-SC1 | NCB-FM50S-SC1 | NCB-FM51S-SC1 | NCB-FM54S-SC1 |
| | NCB-FS09S-LC1 | NCB-FM50S-LC1 | NCB-FM51S-LC1 | NCB-FM54S-LC1 |
| | NCB-FS09S-ST1 | NCB-FM50S-ST1 | | |
| | NCB-FS09S-FC1 | NCB-FM50S-FC1 | | |
| | NCB-FS09S-SC1-APC | | | |
| | NCB-FS09S-LC1-APC | | | |
| SIMPLEX-3M | | | | |
| | NCB-FS09S-SC2 | NCB-FM50S-SC2 | NCB-FM51S-SC2 | NCB-FM54S-SC2 |
| | NCB-FS09S-LC2 | NCB-FM50S-LC2 | NCB-FM51S-LC2 | NCB-FM54S-LC2 |
| | NCB-FS09S-ST2 | NCB-FM50S-ST2 | | |
| | NCB-FS09S-FC2 | | | |
| | NCB-FS09S-SC2-APC | | | |
| | NCB-FS09S-LC2-APC | | | |

NOMENCLATURE FOR PIGTAILS



Y indicates APC in case of APC type pigtails

