

Product Highlights

High Performance PoE

Offers a compact, powerful, and cost-effective solution for PoE/PoE+ devices, giving you maximum deployment flexibility

Extend Your Network

Power remote PoE-compliant products requiring a Gigabit connection in areas where power outlets are unavailable

Quick and Easy Installation

No software requirements, plug-and-play installation, and auto-negotiation on each port allow for quick and hassle-free deployment



DPE-301GI

1 Port Gigabit PoE Injector

Features

Simplicity

- Plug-and-play with no software required
- Easy installation of PoE devices where a power outlet is unavailable
- Reduces installation costs and eliminates the need for dedicated PoE network equipment
- Provides power over existing network cabling to remote PoE-capable devices
- Lightweight and compact
- Output: 0.6 A at 54 V

Gigabit Connectivity

- Deliver PoE (+) power over 10/100/1000 Mbps connections up to a 100 meters (328 ft)¹
- Connect and power Gigabit devices
- Auto-negotiation on Ethernet ports

Reliability

- Overcurrent protection
- Compliant with IEEE 802.3af (PoE) and IEEE 802.3at (PoE+)
- Compatible with all standard PoE devices
- Regulates power output to avoid damaging the connected device

The DPE-301GI 1 Port Gigabit PoE Injector combines electrical power with Gigabit network speeds to provide Gigabit Power-over-Ethernet (PoE) over a single Ethernet cable. It is designed to supply data and up to 30 W of power to PoE-capable devices such as PTZ IP cameras or 802.11ac wireless access points, using regular, non-PoE equipment. The DPE-301GI allows you to mount your PoE device anywhere in a building, such as on ceilings or near entry ways, by eliminating the need for a nearby power outlet and attached power supply.

Powers More Devices

The DPE-301GI offers a plug-and-play PoE solution, capable of transmitting up to 30 W of output power. With support for IEEE 802.3af/at PoE (+) and Gigabit speeds, the DPE-301GI is designed to be deployed in situations with high bandwidth requirements. Adding more power-hungry PoE devices is now easier than ever. Additionally, the DPE-301GI can also be used in combination with the DPE-301GS PoE Splitter to power non-PoE equipment².

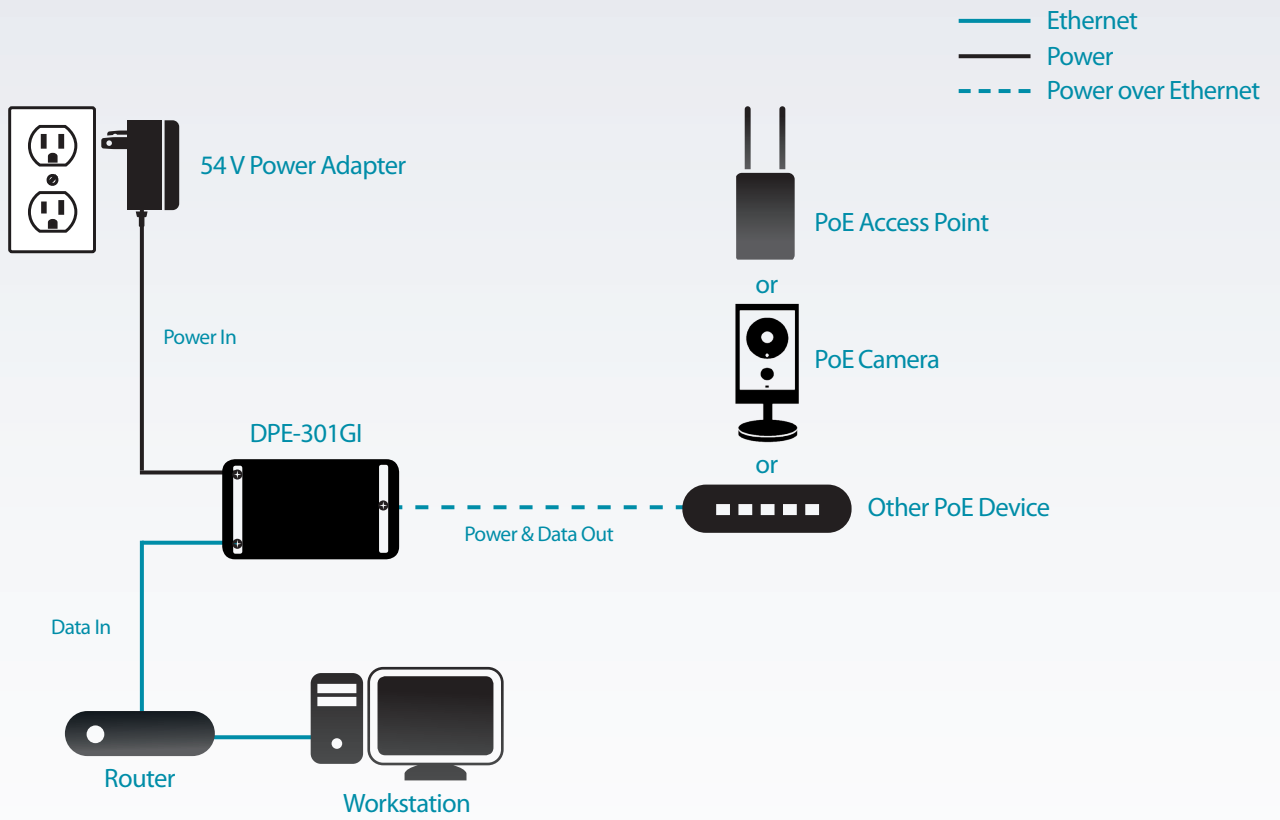
Cost-Efficient Flexibility

Deploying the DPE-301GI saves both installation costs and eliminates the need for dedicated PoE equipment, allowing a single RJ45 Ethernet cable to carry both power and data to the connected device. This PoE solution frees network devices from the restrictions of power availability by removing the need for a local power source. This reduces cable clutter, eliminates the need for dedicated electrical outlets in difficult-to-reach places, and cuts down deployment time.

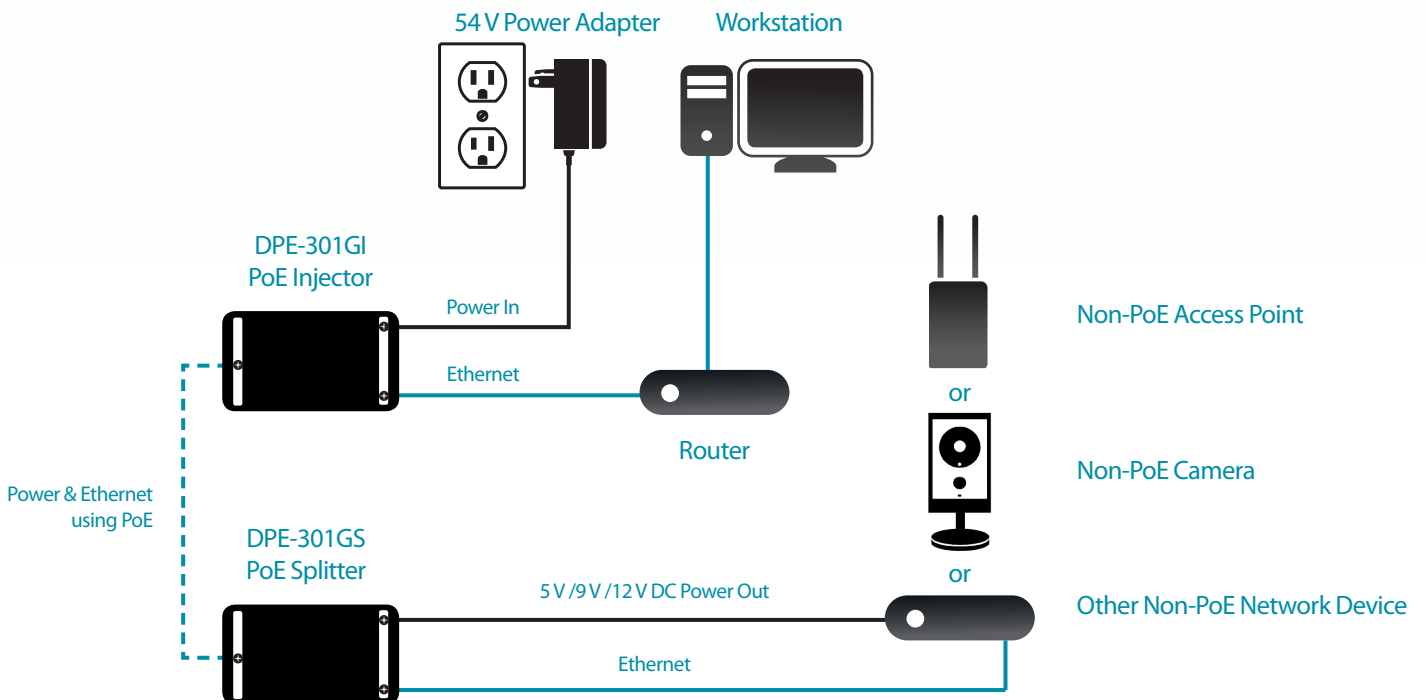
Reliable Connectivity

The DPE-301GI 1 Port Gigabit PoE Injector intelligently communicates the maximum available current with a Powered Device (PD). This protection feature keeps the device safe from damage by preventing it from powering on in case there is not enough current. This safety feature can also automatically disable the port in the event of an electrical short circuit, or when the current exceeds 350 mA for IEEE 802.3af PoE or 600 mA for IEEE 802.3at PoE.

Setup Example - Powered by a PoE Injector



Setup Example - Powered by a PoE Injector and PoE Splitter²



DPE-301GI 1 Port Gigabit PoE Injector

Technical Specifications

Ports

Data Port (IN)	• 1 x 10/100/1000BASE-T RJ45 port	• Supports half/full-duplex
PoE + Data Port (OUT)	• 1 x 10/100/1000BASE-T RJ45 port	• Supports half/full-duplex
Standards	• Data port (IN) <ul style="list-style-type: none">• IEEE 802.3• IEEE 802.3u• IEEE 802.3ab	• PoE + Data port (OUT) <ul style="list-style-type: none">• IEEE 802.3• IEEE 802.3u• IEEE 802.3ab• IEEE 802.3at/af

Physical

Indicator LEDs (Per Unit)	• Power	• Link
Dimensions (L x W x H)	• 109.8 x 62.2 x 24.5 mm (4.32 x 2.45 x 0.96 in)	
Weight	• 70 g (2.47 lbs)	
Power	• Power adapter: 54 V / 0.6 A (replaceable AC plug)	• Output: 0.6 A at 54 V
Max. Power Consumption	• 32.4 W	
Temperature	• Operating: 0 to 50 °C (32 to 122 °F)	• Storage: -30 to 70 °C (-22 to 158 °F)
Humidity	• Operating: 5% to 95% non-condensing	• Storage: 5% to 95% non-condensing
Certifications	• CE • FCC • VCCI	• RCM • RoHS • BSMI

Order Information

Part Number	Description
DPE-301GI	1 Port Gigabit PoE Injector

¹ Maximum distance as per IEEE 802.3u specifications.

² DPE-301GS PoE Splitter sold separately.

Note: If the DPE-301GI is connected to outdoor devices, it is recommended to install a surge protector such as the DPE-SP110.

Updated 2016/05/16