

Product Highlights

Complete Day/Night Surveillance Solution

Keep watch over an area 24 hours a day with built-in night vision; the IR LEDs and automatic IR cut filter give you a clear picture, even in complete darkness

Sound and Motion Detection

Never miss an important moment with sound and motion detection that can send notifications with snapshots or video clips right to your e-mail inbox

mydlink Cloud Service Enabled Device

Stay connected to everything you love from anywhere, anytime; mydlink service provides peace of mind when you're away from your home or office



DCS-935L

HD Wi-Fi Camera

Features

Camera

- High quality HD CMOS sensor for excellent image quality
- Built-in IR LEDs to capture video in low-light environments, or even complete darkness
- Wide angle lens for better camera coverage

Security

- Motion detection with configurable detection windows
- Sound level detection
- Send notifications and snapshots or video clips to your e-mail address

Ease Of Use

- Uses the latest Wireless AC technology so you can install the camera anywhere with ease
- Backwards compatible with 802.11b/g/n
- WPS support for easy wireless connection
- UPnP & DDNS support

mydlink Functionality

- mydlink enabled so you can check on your camera anytime, anywhere
- View and manage your camera through the mydlink website
- Supports the mydlink Lite and mydlink+ apps for remote viewing on your mobile device

The DCS-935L HD Wi-Fi Camera makes it easy and convenient to watch over your home no matter where you are. Place it anywhere with Wireless AC connectivity, and stay informed with built-in motion and sound detection. Equipped with night vision and infrared illuminators, the DCS-935L is ideal for all-day surveillance. It's also mydlink-enabled, so you can check on your camera anytime over the Internet through the mydlink website or the handy mobile app.

Peace Of Mind With 24/7 Monitoring Of Any Environment

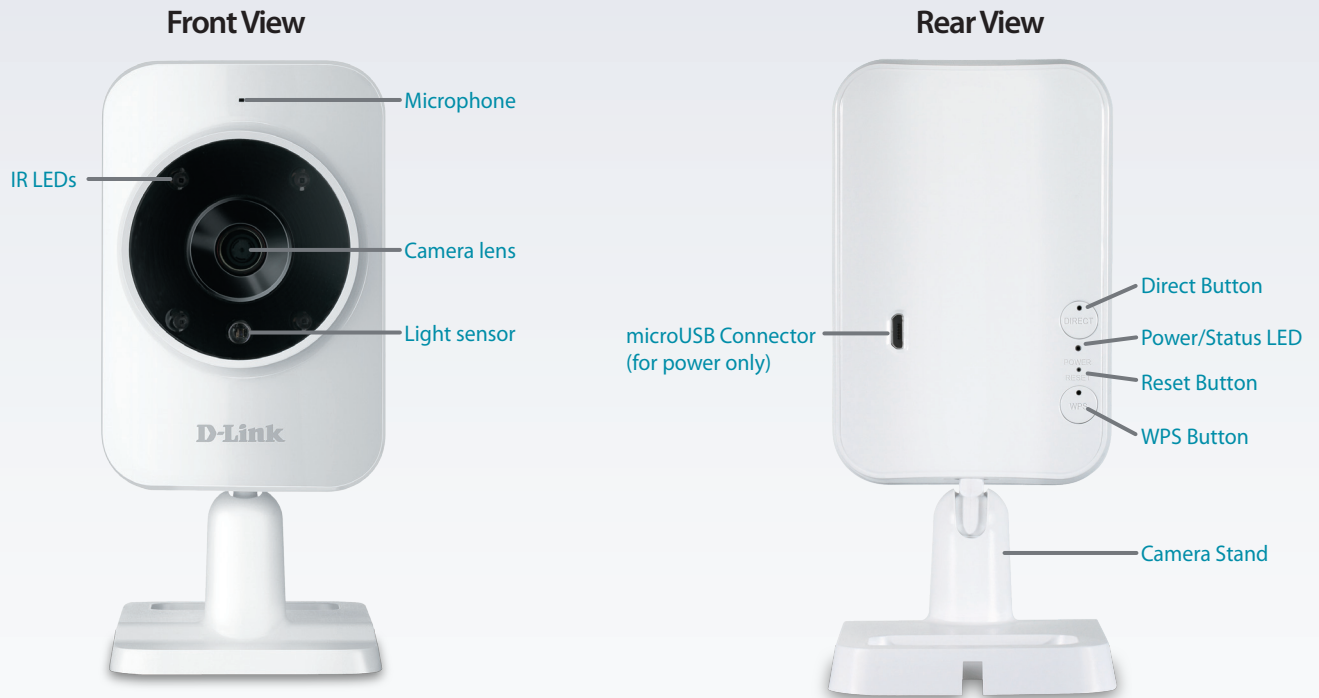
The DCS-935L is a standalone surveillance camera that requires no special hardware or software, and can run independently even without a PC. Send e-mail notifications with snapshots or video clips whenever motion or sound is detected using just the DCS-935L and an Internet connection. You can customize areas of the video to monitor for motion to keep watch over entryways, and you can set volume limits to detect when a loud sound is picked up by the camera. Night time monitoring is possible with the built-in infrared LEDs which allow for night time viewing of up to 16 feet (5 meters), enabling round-the-clock monitoring of a home or small office.

Wireless AC For Speed And Reliability

When setting up a surveillance camera, you need to make sure that it can provide smooth video wherever you decide to install it. The DCS-935L has built-in Wireless AC and takes advantage of the latest Wi-Fi technology to give you a high bandwidth connection to your router for streaming HD video from your camera, and improved range for more flexible placement.

Instant Anywhere Access With mydlink Cloud Service

Enhanced with mydlink™ support, the DCS-935L makes it easier and more convenient for you to look after your family and home or office environment. With a mydlink service enabled camera, you can stay connected to everything you love from anywhere, anytime. Access your camera through the mydlink website or the mydlink mobile app that lets you view and manage your camera through your tablet or mobile phone, no matter where you are.



Technical Specifications

Camera

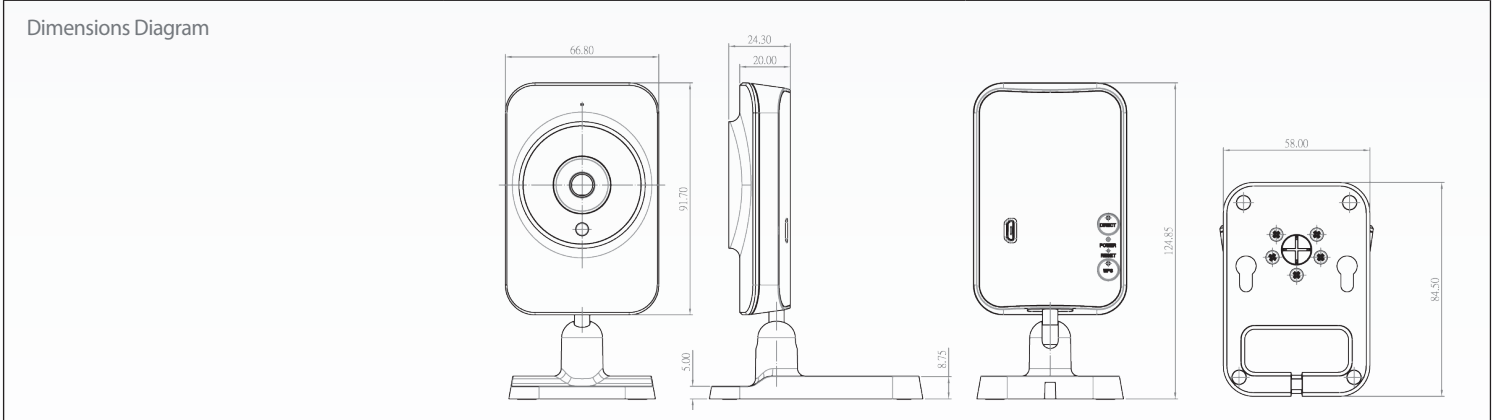
Camera Hardware Profile	<ul style="list-style-type: none"> • 1/4"VGA progressive CMOS sensor • 5 meter IR illumination distance • Minimum illumination: 0 lux with IR LED on • Built-in Infrared-Cut Removable (ICR) Filter module • 4X digital zoom • Fixed length 2.38 mm • Aperture F2.4 	<ul style="list-style-type: none"> • Angle of view <ul style="list-style-type: none"> • (H) 78.44° • (V) 47.9° • (D) 85.98° • Minimum object distance: 434 mm • Exposure Time: 1/7.5 to 1/24,000 sec. • Built-in Microphone
Image Features	<ul style="list-style-type: none"> • Configurable image size, quality, frame rate, and bit rate • Configurable brightness, contrast, sharpness, saturation, and hue 	<ul style="list-style-type: none"> • Configurable motion detection windows • Time stamp and text overlays
Video Compression	<ul style="list-style-type: none"> • Simultaneous H.264/MJPEG format compression 	<ul style="list-style-type: none"> • JPEG for still images
Video Resolution	<ul style="list-style-type: none"> • 1280 x 720, 800 x 600, 720 x 480, 640 x 480, 320 x 240 at up to 30 fps 	
Audio Compression	<ul style="list-style-type: none"> • AAC 	<ul style="list-style-type: none"> • G.711
Connectivity	<ul style="list-style-type: none"> • 802.11b/g/n/ac wireless with WEP/WPA/WPA2 encryption 	<ul style="list-style-type: none"> • Operates on 2.4 GHz and 5 GHz bands • Maximum data rate of 433 Mbps (PHY rate)¹

Network

Network Protocols	<ul style="list-style-type: none"> • IPV4, ARP, TCP, UDP, ICMP • DHCP Client • NTP Client (D-Link) • DNS Client • DDNS Client (D-Link) • SMTP Client • FTP Client 	<ul style="list-style-type: none"> • HTTP Server • PPPoE • RTP, RTSP, RTCP • UPnP Port Forwarding • HTTPS for configuration • Bonjour
Security	<ul style="list-style-type: none"> • Administrator and user group protection • Password authentication 	<ul style="list-style-type: none"> • HTTP and RTSP digest encryption

DCS-935L HD Wi-Fi Camera

System Integration		
System Requirements for Web Interfaces	<ul style="list-style-type: none"> Operating system: Microsoft Windows 8/7/Vista/XP SP3 or Mac OS X 10.6 or higher 	<ul style="list-style-type: none"> Browser: Internet Explorer 7, Firefox 12, Safari 6, or Chrome 20 or higher
Event Management	<ul style="list-style-type: none"> Motion detection Sound level detection 	<ul style="list-style-type: none"> Event notification and uploading of snapshots/video clips via SMTP or FTP
Remote Management	<ul style="list-style-type: none"> Configuration accessible via web browser 	
Mobile support	<ul style="list-style-type: none"> mydlink Lite app for iOS and Android 	<ul style="list-style-type: none"> mydlink+ app for iOS and Android
General		
Dimensions	<ul style="list-style-type: none"> 66.8.0 x 84.5 x 124.85 mm (2.63 inches x 3.33 inches x 4.92 inches) 	
Weight	<ul style="list-style-type: none"> 160.0 grams (5.6 ounces) ± 5% 	
Power	<ul style="list-style-type: none"> 5 V DC 1.2 A, 50/60 Hz 	
Power Consumption	<ul style="list-style-type: none"> 3.5 watts maximum ± 5% 	
Temperature	<ul style="list-style-type: none"> Operating: 0 to 40 °C (32 to 104 °F) 	<ul style="list-style-type: none"> Storage: -20 to 70° C (-4 to 158 °F)
Humidity	<ul style="list-style-type: none"> Operating: 20% to 80% non-condensing 	<ul style="list-style-type: none"> Storage: 20% to 80% non-condensing
Certifications	<ul style="list-style-type: none"> CE CE LVD 	<ul style="list-style-type: none"> FCC Class B C-Tick



¹ Maximum wireless signal rate derived from IEEE standard 802.11ac specifications. Actual data throughput will vary. Network conditions and environmental factors, including volume of network traffic, building materials and construction, and network overhead, lower actual data throughput rate. Environmental factors will adversely affect wireless signal range.

Updated 2014/08/26