



DAY & NIGHT POE OUTDOOR NETWORK CAMERAS

OUTDOOR DEPLOYMENT

Solid metal casing and wire-in bracket protect cables against damage; built-in PoE for easy wiring

24-HOUR SURVEILLANCE

IR LEDs for night surveillance; ICR filter for high-quality image capture during day & night¹

VERSATILE LENS FEATURES

Auto-Iris for automatic brightness control; varifocal lens for easy focal length adjustment¹

DAY & NIGHT POWERFUL SURVEILLANCE

The DCS-7410 and DCS-7510 are day and night outdoor cameras with built-in infrared LEDs. The cameras can detect moving objects in total darkness, for distances of up to 30 or 50 meters.² Equipped with a high-resolution Sony CCD image sensor, these cameras provide you with excellent image quality and level of detail. A built-in Infrared Cut Removable (ICR) filter in the DCS-7510 allows the camera to capture images in both good light and low light conditions by switching the infrared cut filter. Embedded with a powerful SoC (System-on-Chip), the cameras provide high-quality, real-time video compression in MPEG-4 and motion JPEG formats. These elements make the DCS-7410/7510 an ideal solution for 24-hour surveillance.

VARIFOCAL LENS FOR FLEXIBLE SURVEILLANCE

The DCS-7510 is equipped with a varifocal 9-22mm lens that allows you to manually change the focus length on desired objects. With a shorter focal length you will get a wider field of view, whereas a longer focal length narrows the field of view and allows you to zoom in more on the images. The focus and zoom controls are located on the outside of the camera case for easy adjustments. This camera also has an auto-iris that automatically adjusts the exposure according to the light conditions for optimum picture quality.

WIRED PoE ACCESS

For easy installation at high places, the cameras come with built-in 802.3af compliant Power over Ethernet (PoE), giving users the freedom to place the camera anywhere by eliminating the need for a nearby power outlet.

VIEW LIVE VIDEO FROM A 3G MOBILE PHONE³

A live feed from the camera can be accessed on a 3G mobile network by using a compatible mobile phone or PDA with a 3G video player. Anywhere within the 3GPP service area, users have a flexible and convenient way to remotely monitor a home or office in real time.

WEATHERPROOF HOUSING

The cameras are housed in an IP66 certified weatherproof casing, which protects them against rain and dust. An adjustable top shields the camera sensor from direct sunlight while providing air ventilation for the camera. The wire-in bracket design tightly assembles and protects the cables not only from outdoor wear and tear, but also from criminal acts such as intentional cable cutting.¹

INTELLIGENT & EASY TO USE

The bundled D-ViewCam software allows you to manage and record videos to a Network Attached Storage (NAS) device such as the D-Link DNS-323. Alternatively, you can record videos to a Network Video Recorder (NVR), such as the D-Link DNS-722-4 or DNS-726-4. These NAS and NVR devices support RAID-1 for you to backup your recorded videos. Playback of recorded videos consumes less time with triggered event browsing and fast database searching features. You can also connect the cameras to I/O sensors, and set up the system to send automated e-mail notifications for unusual events.

OTHER PRODUCTS YOU MAY NEED

VIDEO STORAGE

- Network Attached Storage (NAS) DNS-323
 - To store camera recorded videos
- Network Video Recorder (NVR) DNS-722-4/726-4
 - To store camera recorded video without requiring a PC to run monitoring software

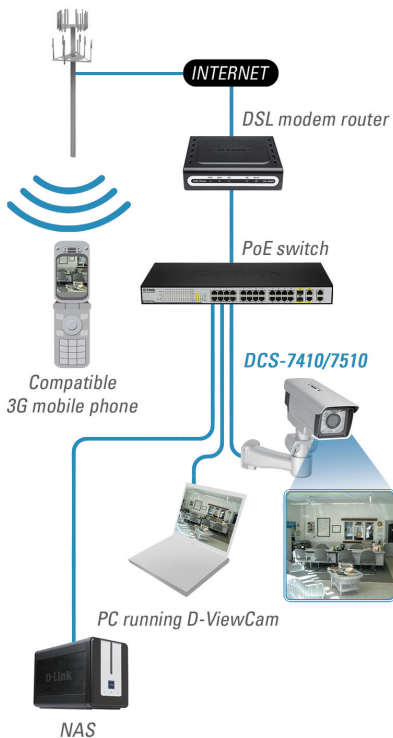
POWER AND DATA

- PoE Switch: DES-1228P, DES-3028P, DES-3052P, DES-3528P, DES-3552P or DGS-3426P
 - To provide power and data connection to cameras through a single Ethernet cable

SITE EXPANSION

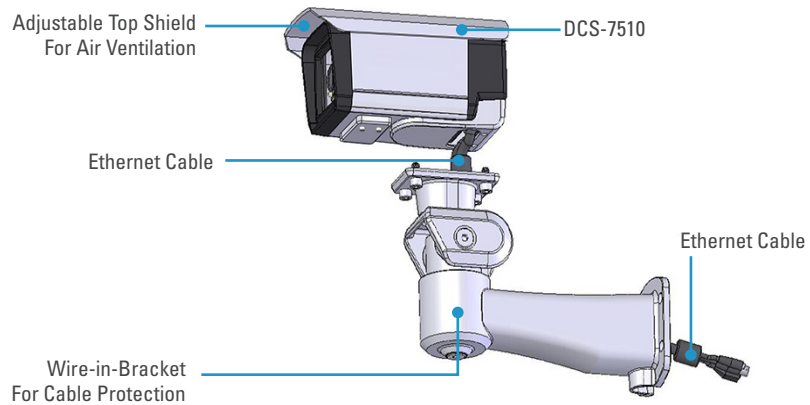
- D-ViewCam CVS DCS-220/230 Central Video Surveillance software
 - To monitor and manage up to 64 or 128 cameras; compatible with bundled D-ViewCam software
- DVS-210-1 Video Server
 - To add analog CCTV cameras to your surveillance network

YOUR NETWORK SETUP

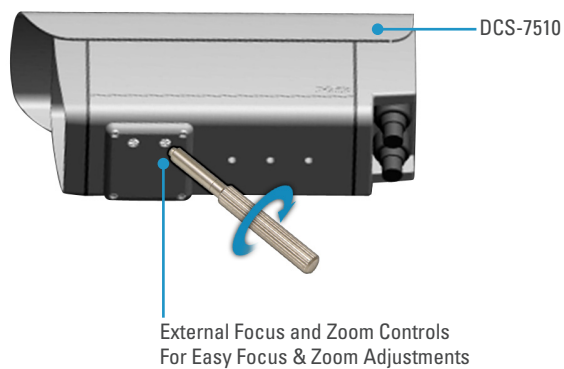


Wire-in Bracket Design

Wire-in bracket design protects the cables from damage and also simplifies installation (only for DCS-7510)



External Focus and Zoom Controls For easy Focus and Zoom Adjustment



WHAT THIS PRODUCT DOES

The DCS-7410/7510 are outdoor network cameras equipped with high resolution Sony CCD image sensors for better performance under varied lighting conditions. The cameras include infrared LEDs for night vision illumination and a removable infrared-cut filter (only for DCS-7510) to enable 24-hour surveillance. With IP66 certified weatherproof enclosures, these cameras can be safely placed outdoors. 802.3af compliant Power over Ethernet (PoE) eases the installation process by providing both data and power connection through a single cable. The cameras provide DI/DO interfaces for connection to external devices such as IR sensors, switches, and alarm relays for effective surveillance. The DCS-7410/7510 provide high quality real-time videos in MPEG-4 and MJPEG compression. All of the above features, plus the live monitoring of high-quality images and high-resolution recording, make these cameras an ideal solution for outdoor surveillance.

REMOTE MONITORING OPTION

The DCS-7410/7510 features 3G mobile video support enabling you to view a live video feed from your camera on a compatible 3G mobile phone or PDA anywhere in your 3G coverage area. D-ViewCam software is included to manage up to 32 cameras simultaneously, send automated e-mail alerts, and record video to your hard drive when motion is detected or according to a set schedule.

TECHNICAL SPECIFICATIONS

CAMERA SPECIFICATIONS

- DCS-7510
 - Built-in 1/3" SONY interlace CCD sensor
 - Supports auto-iris lens
 - IR LEDs: 50m illumination distance
 - Varifocal lens 9-22mm, F1.5-360
 - Built-in IR-cut removable filter
 - Minimum illumination: 1 Lux @ F1.5
 - Electronic shutter:
NTSC: 1/60 ~ 1/100,000 sec.
PAL: 1/50 ~ 1/110,000 sec.
- DCS-7410
 - Built-in 1/3" SONY interlaced CCD sensor
 - IR LEDs: 30m illumination distance
 - Lens: Focal Length 12mm, F1.4
 - Minimum illumination: 0.7 Lux @ F1.4
 - Electronic shutter:
NTSC: 1/60 ~ 1/100,000 sec.
PAL: 1/50 ~ 1/110,000 sec.

LED INDICATORS

- Link & Activity
- Power

RESET BUTTON

- Reset to factory default settings

EXTERNAL DEVICE INTERFACE

- 2 Inputs:
 - Photo Relay
 - Active High 12V, +/-3V, Dropout: 0 VDC
- 1 Output:
 - Photo Relay
 - Close circuit current: AC 70mA or DC 100mA; 400hm
 - Open circuit voltage: 240VAC or 350VDC
 - Power output: 12V DC 200mA
- RS-485 connector for external PT devices

MEMORY

- SDRAM: 64 MBytes
- Flash Memory: 8 MBytes

IR FUNCTIONS

- IR LED: 8 pcs (with condenser)
- IR Wavelength: 850nm
- IR Status: Under 10 lux by photo sensor auto control
- IR Distance: Up to 50m (DCS-7510)
- IR Distance: Up to 30m (DCS-7410)

VIDEO FEATURES

- Adjustable image size, quality and bit rate
- Time stamp and text overlays
- Configurable motion detection windows
- Adjustable AGC level, AWB and AES

VIDEO RESOLUTION

- MPEG-4/MJPEG video resolution up to D1

VIDEO BIT RATE

- 64K to 2M

VIDEO ALGORITHM SUPPORT

- JPEG for still images
- MPEG4/MJPEG dual format compression
- Simultaneous dual-streaming
- Supports up to 4 video profiles simultaneously
- Supports 3GPP mobile surveillance

DIGITAL ZOOM

- 16X

AUDIO

- Sampling Rate:
 - GSM-AMR: 12.2Kbps
 - PCM: 8Kbps
- Full duplex audio communication

NETWORK PROTOCOL SUPPORT

- IPv4, ARP, TCP/IP, RTSP, RTP, RTCP, HTTP, SMTP, FTP, NTP, DNS, DHCP, UPnP, DDNS, PPPoE, Samba Client, 3GPP

NETWORK INTERFACE

- IEEE 802.3/802.3u 10/100BASE-TX Ethernet port
- Supports full-duplex operations
- Supports 802.3x Flow Control in full-duplex mode
- Supports IEEE 802.3af PoE

REMOTE MANAGEMENT

- Configuration accessible via web browser
- Take snapshots/video clips and save to local hard drive via web browser or to NAS

DCS-7410 & DCS-7510 COMPARISON

Camera Features	DCS-7410	DCS-7510
Lens (Focal Length, Aperture)	12mm, F1.4	9-22mm, F1.5-360
Image Sensor	1/3" color CCD sensor, 520 TV lines, Sony	1/3" color CCD sensor, 520 TV lines, Sony
Min. Illumination	0.7 lux @ F1.4	1 lux @ F1.5
Auto-Iris Lens	-	✓
ICR Filter	-	✓
IR Distance	30m	50m
IR LEDs with Condenser	8 pcs only	8 pcs only
MPEG-4/MJPEG Compression	Simultaneous	Simultaneous
Samba Client	✓	✓
PoE Support	✓	✓
Wire-in Bracket	-	✓
IP66 Certification	✓	✓

SECURITY

- Administrator and user group protected
- Password authentication

D-VIEWCAM SOFTWARE FUNCTIONS

- Remote management/control of up to 32 cameras
- Viewing of up to 32 cameras on one screen
- Management functions are provided in the web interface
- Scheduled, motion triggered, or manual recording options

SYSTEM REQUIREMENTS

- Operating System: Microsoft Windows XP or Vista, Mac OS X10.3 or higher
- Browser: Internet Explorer Version 6 or higher, Firefox 2.0 or higher, Safari 2.0 or higher

POWER INPUT

- Through external AC power adapter or PoE Ethernet port
- 100-240VAC, 50/60Hz, 12VDC, 1.25A

POWER CONSUMPTION

- DCS-7410: 11.72W
- DCS-7510: 12.00W

DIMENSIONS

- DCS-7410: 240(L) x 8.79(W) x 84.1(H)mm
- DCS-7510: 240(L) x 8.79(W) x 109.1(H)mm

WEIGHT

- DCS-7410: 1.63kg
- DCS-7510: 1.72kg

SUPPORTED SOFTWARE

- Handsets with 3GPP player
- Packet Video Player 3.0
- QuickTime 6.5
- Real Player 10.5

OPERATION TEMPERATURE

- 0° to 40° C (32° to 104° F)

STORAGE TEMPERATURE

- 20° to 70° C (-4° to 158° F)

HUMIDITY

- 20% to 80% non-condensing

EMISSION (EMI), SAFETY & OTHER CERTIFICATIONS

- FCC Class A
- IC
- CE
- C-Tick

¹ ICR filter, auto-iris, varifocal lens, and wire-in bracket available only on DCS-7510.

² IR LED illumination of up to 30 meters for DCS-7410 and 50 meters for DCS-7510.

³ The mobile device must have 3G support and subscribe to 3G service from a service provider. The playback device must be equipped with 3G video playback software such as RealPlayer™ or PacketVideo™.



D-Link Corporation
 No. 289 Xinhui 3rd Road, Neihu, Taipei 114, Taiwan
 Specifications are subject to change without notice.
 D-Link is a registered trademark of D-Link Corporation and its overseas subsidiaries.
 All other trademarks belong to their respective owners.
 ©2009 D-Link Corporation. All rights reserved.
 Release 01 (March 2009)