

Product Highlights

Wireless AC Connectivity

By using the latest wireless technology, this camera has improved speed and range, giving you better streaming and increased reliability

High Quality All-Day Surveillance

The megapixel sensor gives you high-quality images with the detail you need, and the built-in ICR filter and IR illuminator let you monitor an area 24 hours a day

mydlink-enabled Cloud Access

Easy remote viewing and management of your camera on your mobile device or through the mydlink website



DCS-7000L

Wireless AC Day/Night HD Mini Bullet Cloud Camera

Features

Camera

- 1/4" Megapixel CMOS progressive sensor
- Fixed lens: 2.4 mm F2.0
- Audio in and out jacks can be connected to a microphone and speaker for 2-way communication
- Built-in infrared-cut removable (ICR) filter for all-day surveillance
- Built-in IR LED illuminator with an 8 meter range for use in dark areas
- ONVIF compliant

Connections

- Supports 802.11a/b/g/n/ac
- 10/100 Fast Ethernet port
- microSD card slot for onboard storage ²

Image & Video

- HD resolution (1280 x 720)
- H.264 and Motion JPEG compression
- ePTZ viewing
- Simultaneous multi-stream support
- Privacy Mask feature
- Supports multiple access lists
- Built-in Samba client for saving to a network storage drive

The DCS-7000L Wireless AC Day/Night HD Mini Bullet Cloud Camera is a mydlink-enabled IP surveillance camera that lets you monitor an area 24 hours a day. Built-in Wireless AC technology gives you better streaming and increased reliability, and it's mydlink-enabled, so you can check on things right from your mobile device.

24/7 HD Surveillance

The DCS-7000L is built with a megapixel image sensor to give you high-quality snapshots and video with resolutions up to 720p HD. This gives you sharp, high-resolution snapshots and videos with rich detail. Get a closer look with ePTZ, which lets you zoom in, zoom out, and pan across your camera's video so you can survey a large area easily.

An infrared cut removable (ICR) filter is also built into the DCS-7000L, which blocks infrared light during the day for improved image quality. At night, it moves out of the way to use all available light for low-light surveillance, and paired with a powerful IR LED illuminator with a 8 meter range, this camera can monitor an area even in complete darkness.

Wireless AC

Connect the DCS-7000L to your wireless network with Wireless AC, which provides improved speed and range over previous wireless standards. This helps when streaming video across your network by providing more bandwidth and creating a more reliable connection. It also gives you the freedom to install your camera in more places, thanks to increased wireless coverage.

Anywhere Access with mydlink

The Wireless AC Day/Night HD Mini Bullet Cloud Camera is mydlink-enabled, which means that you can access and configure your camera remotely, no matter where you are. See your camera's live view through the mydlink website, or download the mydlink mobile app and view your camera directly on your iOS or Android mobile device. Keep an eye on your home while you're at work, or check on the office when you're out on the road; mydlink makes it all possible.

Zero Configuration

If you have a mydlink-enabled Cloud Router, setting up and configuring your DCS-7000L is a snap, thanks to Zero Configuration. Simply connect your camera to its power adapter and then connect your camera to your mydlink-enabled Cloud Router with an Ethernet cable - the camera will automatically be added to your account. mydlink does the hard work for you, allowing even novice users to set up and use their mydlink-enabled cameras immediately.

Built for Versatility

The DCS-7000L comes with a wealth of features that enhance its surveillance capabilities, making it ideal for any situation. The camera can detect motion, allowing it to automatically record video and send you a notification when motion is detected. Audio in and out connectors can be connected to a microphone and speaker, allowing for 2-way communication and making the DCS-7000L ideal for use in entryways.

A Complete, Expandable Surveillance Solution

The DCS-7000L is a self-sufficient surveillance solution, capable of recording snapshots and video to a microSD card without requiring a PC or network storage device.

If you want to expand your surveillance options, D-ViewCam management software is also included, giving you the ability to manage up to 32 cameras with a robust set of features, including multi-camera views and automated e-mail alerts to keep you informed of suspicious or unusual activities.

Technical Specifications

Camera

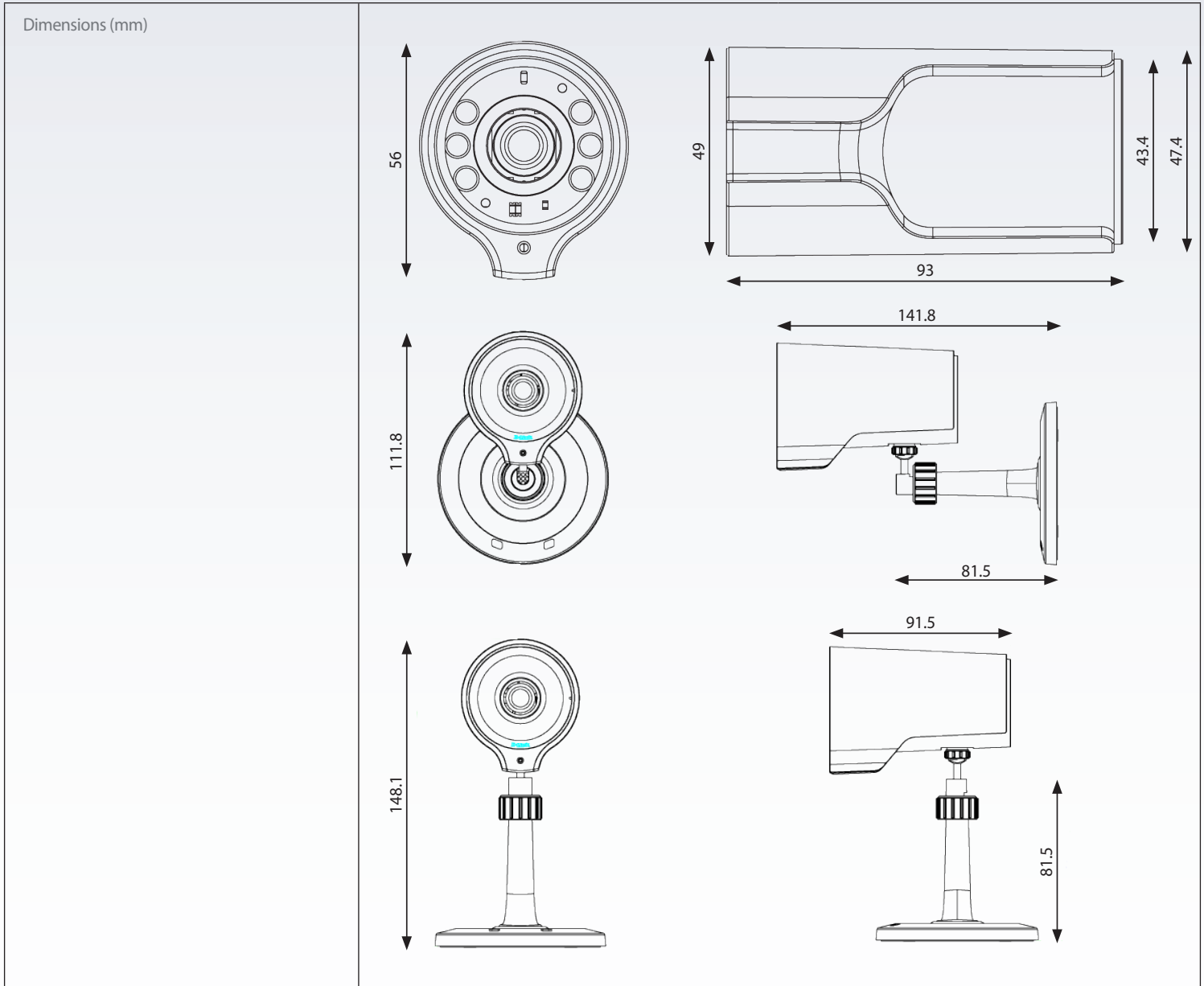
Camera Hardware Profile	<ul style="list-style-type: none"> • 1/4" Megapixel progressive CMOS sensor • 8 meter IR illumination distance • Minimum illumination: 0 lux with IR LED on • Built-in Infrared-Cut Removable (ICR) Filter module • 10x digital zoom • Focal length: 2.4 mm 	<ul style="list-style-type: none"> • Aperture: F2.0 • Angle of view: <ul style="list-style-type: none"> • (H) 98° • (V) 52° • (D) 115° • Minimum object distance: 200 mm
Image Features	<ul style="list-style-type: none"> • Configurable image size, quality, frame rate, and bit rate • Time stamp and text overlays • Configurable motion detection windows 	<ul style="list-style-type: none"> • Configurable privacy mask zones • Configurable shutter speed, brightness, saturation, contrast, and sharpness
Video Compression	<ul style="list-style-type: none"> • Simultaneous H.264/MJPEG format compression • H.264 multicast streaming 	<ul style="list-style-type: none"> • JPEG for still images
Video Resolution	<ul style="list-style-type: none"> • 16:9 - 1280 x 720, 800 x 448, 640 x 360, 480 x 272, 320 x 176 up to 30 fps recording¹ 	<ul style="list-style-type: none"> • 4:3 - 960 x 720, 800 x 592, 640 x 480, 480 x 352, 320 x 240 up to 30 fps recording¹
Audio Support	<ul style="list-style-type: none"> • AAC 	<ul style="list-style-type: none"> • G.711
External Device Interfaces	<ul style="list-style-type: none"> • 802.11a/b/g/n/ac wireless with WEP/WPA/WPA2 support • 10/100 BASE-TX Fast Ethernet port 	<ul style="list-style-type: none"> • microSD card slot² • Audio in and out jacks

Network

Network Protocols	<ul style="list-style-type: none"> • IPv6 • IPv4 • TCP/IP • UDP • ICMP • DHCP client • NTP client (D-Link) • DNS client • DDNS client (D-Link) • SMTP client • FTP client 	<ul style="list-style-type: none"> • HTTP / HTTPS • Samba client • PPPoE • UPnP port forwarding • RTP / RTSP / RTCP • IP filtering • QoS • CoS • Multicast • IGMP • ONVIF compliant
Wi-Fi Features	<ul style="list-style-type: none"> • 802.11a/b/g/n/ac wireless with WEP/WPA/WPA2 support • Operates over 2.4 GHz and 5 GHz frequency bands 	<ul style="list-style-type: none"> • Dual-band 1T1R mode supports a maximum data rate of 433 Mbps (PHY rate) using 80 MHz bandwidth

Security	<ul style="list-style-type: none"> • Administrator and user group protection • Password authentication 	<ul style="list-style-type: none"> • HTTP and RTSP authentication
System Management		
System Requirements for Web Interface	<ul style="list-style-type: none"> • Browser: Internet Explorer, Firefox, Safari, Chrome 	
Event Management	<ul style="list-style-type: none"> • Motion/sound detection • Event notification and uploading of snapshots/video clips via e-mail or FTP 	<ul style="list-style-type: none"> • Supports multiple SMTP and FTP servers • Multiple event notifications • Multiple recording methods for easy backup
Remote Management	<ul style="list-style-type: none"> • Take snapshots/video clips and save to local hard drive via web browser 	<ul style="list-style-type: none"> • Configuration interface accessible via web browser
Mobile Support	<ul style="list-style-type: none"> • Supports mydlink Lite/mydlink+ mobile apps for iOS and Android mobile devices 	
D-ViewCam™ System Requirements	<ul style="list-style-type: none"> • Operating System: Microsoft Windows 8/7/Vista/XP • Web Browser: Internet Explorer 7 or higher 	<ul style="list-style-type: none"> • Protocol: Standard TCP/IP
D-ViewCam™ Software Functions	<ul style="list-style-type: none"> • Remote management/control of up to 32 cameras • Viewing of up to 32 cameras on one screen • Scheduled motion triggered, or manual recording options 	<ul style="list-style-type: none"> • Supports all management functions in web interface
Physical		
Weight	<ul style="list-style-type: none"> • Without stand: 115 g ± 5% 	<ul style="list-style-type: none"> • Stand: 45 g ± 5%
Power	<ul style="list-style-type: none"> • 5 V DC, 1.2 A through external power adapter 	<ul style="list-style-type: none"> • External Power Adapter Input: 100 to 240 V AC, 50/60 Hz
Power Consumption	<ul style="list-style-type: none"> • 3.5 watts max. 	
Temperature	<ul style="list-style-type: none"> • Operating: 0 to 40 °C (32 to 104 °F) 	<ul style="list-style-type: none"> • Storage: -20 to 70 °C (-4 to 158 °F)
Humidity	<ul style="list-style-type: none"> • Operating: 20% to 80% non-condensing 	<ul style="list-style-type: none"> • Storage: 5% to 95% non-condensing
Certifications	<ul style="list-style-type: none"> • CE • CE LVD 	<ul style="list-style-type: none"> • FCC class B • C-Tick

DCS-7000L Wireless AC Day/Night HD Mini Bullet Cloud Camera



Order Information

Part Number	Description
DCS-7000L	Wireless AC Day/Night HD Mini Bullet Cloud Camera

¹ Frame rates when streaming video may vary depending on network conditions and method used.
² An SD 1.1, SDHC 2.0, SDXC 3.1 Class 6 or above card is recommended. Supports capacities up to 128 GB.

Updated 2014/07/21