



FIXED DOME NETWORK CAMERA

WIRED PoE ACCESS

Built-in 802.3af compliant Power Over Ethernet (PoE) module, for a simple and more cost effective installation

MPEG4 MULTICAST STREAM

There is no limited user when multicast-enabled router is used. This helps to reduce the network transmission load

DUAL-STREAM SUPPORT

Simultaneous dual-streaming for live monitoring and recording

POWERFUL SURVEILLANCE

D-Link's DCS-6110 is a high-performance fixed dome Network camera, ideal for home or business. Dome type cameras are very popular in CCTV system. DCS-6110 targets entry level market. The VGA Progressive CMOS technology delivers exceptional picture quality. Use D-Link's SoC (system-on-chip) products to provide high quality real-time video compression in MPEG-4 and Motion JPEG formats. DCS-6110 supports simultaneous dual-streaming for live monitoring and recording. With the free-bundled 32-channel recording software, the DCS-6110 is an ideal solution for high quality viewing and reliable recording.

With a built-in Samba client for NAS, DCS-6110 Network camera does not need a direct connection to a PC or any other hardware or software to capture and transfer images.

SHARP IMAGE MONITORING FROM DIFFERENT ANGLES

The DCS-6110 is recommended for indoor ceiling mounting, and thus prevents possible damage that maybe caused by a burglar. This Network camera has a built-in three axis mechanism for wall mount installation. The DCS-6110 provides high quality real-time videos in MPEG-4 and JPEG compression with VGA/QVGA/QQVGA resolution. It is suitable for narrow space surveillance, like an elevator.

VIEW LIVE VIDEO FROM A 3G MOBILE PHONE¹

The live camera feed of the camera can be pulled from the 3G cellular network by using a compatible cell phone or PDA with a 3G video player. Anywhere within the 3GPP service area, users are offered a flexible and convenient way to remotely monitor a home or office in real time.

WIRED & PoE ACCESS

For effective surveillance in and around a building, this camera comes with a built-in 802.3af compliant Power Over Ethernet (PoE) module, which eases the installation process and also gives you the freedom to place the camera where it's needed. In addition, the 10/100BASE-TX Ethernet port is also provided for convenient connection to an Ethernet network or to a broadband Internet via a gateway router. The camera can be accessed and viewed from any network place as a device on the network.

SMART & EASY TO USE

The software allows you to view up to 32 cameras on a single computer screen at one central location. Users can set up automated e-mail alerts to be instantly informed of unusual activities. Fixed dome cameras usually uses fixed focus lens, but the DCS-6110 also has a vari-focal lens. Vari-focal lens provides easier installation process because the board lens of dome camera is not like CS/C mount lens, it is not changeable. Drop ceiling bracket is another alternative option for an installation method. In addition, this Network camera supports the Universal Plug-n-Play feature, which allows computers running on Windows 2000/XP/Vista to automatically recognize the camera and adds it to the network. Sign up with one of the free Dynamic DNS services available on the web, to assign a name and domain to the camera (e.g. mycamera.dlinkdns.com). This allows users to remotely access the camera without having to remember the IP address.

WHAT THIS PRODUCT DOES

DCS-6110 fixed dome Network camera is a cost-effective and ideal security solution providing high quality real-time videos in MPEG-4 and JPEG compression for small to medium-sized businesses, office and homes. This surveillance system, with 3G video support, connects to your Ethernet to provide remote monitoring over the Internet. In addition, it supports dual stream output for simultaneous live monitoring and high resolution recording. The DCS-6110 is a deluxe-size dome Network camera, giving you a more professional look to your business or location making it an excellent choice for home and business surveillance.

REMOTE MONITORING OPTION

The DCS-6110 features 3G mobile video support, enabling you to view a live video feed from your camera on a compatible 3G mobile phone or PDA anywhere in your 3G coverage area. The 3G mobile video support allows you to monitor a remote location without using a computer or an internet connection. D-ViewCam software is also included to manage up to 32 cameras simultaneously from your computer, send automated e-mail alerts, and record video to your hard drive when motion is detected.



TECHNICAL SPECIFICATIONS

NETWORK PROTOCOL SUPPORT

- + TCP/IP, RTSP, RTP, RTCP, HTTP, SMTP, FTP, NTP, DNS, DHCP, UPnP, DDNS, PPPoE, ICMP, Samba client, IP Filtering, 3GPP

BUILT-IN NETWORK INTERFACES

- + 10/100BASE-TX Ethernet port

VIDEO ALGORITHM SUPPORT

- + JPEG for still image
- + MPEG4/MJPEG dual format compression

VIDEO RESOLUTION

- + Up to 30fps at 176 x 144
- + Up to 30fps at 320 x 240
- + Up to 30fps at 640 x 480

VIDEO FEATURES

- + Adjustable image size and quality
- + Time stamp and text overlays
- + 3 configurable motion detection windows
- + Flip & mirror

VIDEO BIT RATE

20K to 4M

CAMERA SPECIFICATIONS

- + VGA Progressive CMOS Sensor
- + 1.5 Lux @ F1.4
- + Electronic rolling shutter
- + 3.7-12mm vari-focal lens, F1.4-F2.8

LAN

- + IEEE 802.3 compliance
- + IEEE 802.3u compliance
- + Support Full-Duplex operations
- + 802.3x Flow Control support for Full-Duplex mode
- + Supported IEEE 802.3af standard (PoE)

PHYSICAL & ENVIRONMENTAL

- DIAGNOSTIC LED
- 2 color LED
- 3-AXIS ANGLE
- X : 350°, Y : 45°, Z : 350°

POWER INPUT

100-240VAC, 50/60Hz

POWER CONSUMPTION

Max 3.6 W

DIMENSIONS

194 (W) X 180 (D) X 107 (H) (mm)

WEIGHT

630 gm

SECURITY

- + Administrator and user group protected
- + Password authentication

SURVEILLANCE SOFTWARE FUNCTIONS

- + Remote management/control of up to 32 cameras
- + Viewing of up to 32 cameras on one screen
- + Supports all management functions provided in web interface
- + Scheduled motion triggered, or manual recording options

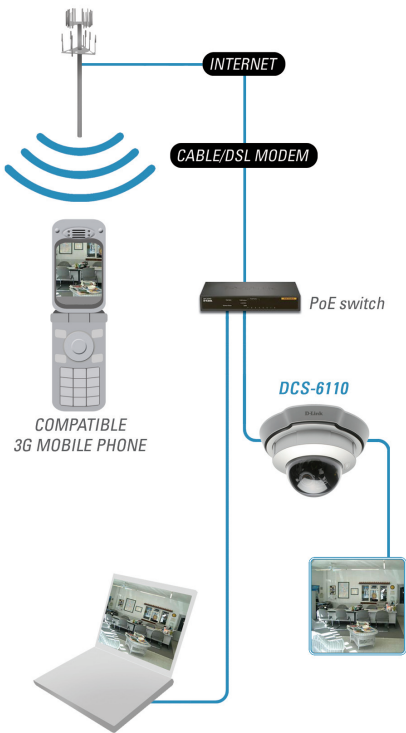
REMOTE MANAGEMENT

- + Configuration accessible via web browser
- + Take snapshots/video clips and save to local hard drive or NAS via web browser

SURVEILLANCE

- (Motion detection weekly schedule)
- + Upload snapshots/video clips via email
- + Upload snapshots/video clips via FTP

YOUR NETWORK SETUP



SYSTEM REQUIREMENTS

- + Operating System: Microsoft Windows 2000, XP, Vista
- + Browser: Internet Explorer, Firefox, Netscape, Mozilla, Opera browser

SUPPORTED PDA, MOBILE PHONES & SOFTWARE

- Handsets with 3GPP player
- + Packet Video Player 3.0
- + QuickTime 6.5
- + Real Player 10.5
- + Windows 2000, XP

OPERATION TEMPERATURE

0° to 40° C (32° to 104° F)

STORAGE TEMPERATURE

-20° to 70° C (-4° to 158° F)

HUMIDITY

20% to 80% non-condensing

EMISSION (EMI), SAFETY & OTHER CERTIFICATIONS

- + FCC
- + CE
- + C-Tick

PACKAGE INCLUDES

- + DCS-6110 camera
- + External power adapter
- + Cat5 Ethernet cable
- + Quick Installation Guide
- + Master CD

¹ The mobile device must have 3G support and subscribe to 3G service from the phone service provider. The playback device must be equipped with 3G video playback such as RealPlayer™ or PacketVideo™.

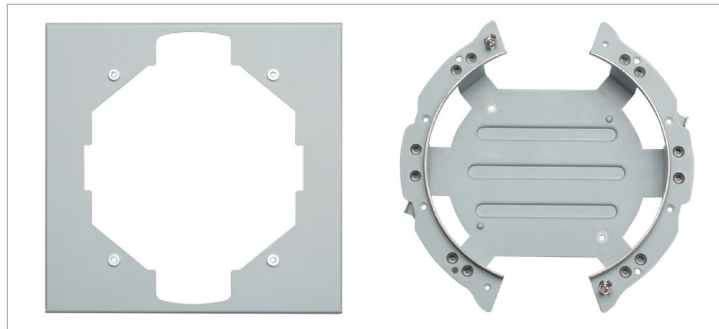
Surface installation :



Drop-ceiling installation :



Drop-ceiling Bracket : (optional)



ACN 052 202 838
2576

D-Link Corporation

No. 289 Xinhua 3rd Road, Neihu, Taipei 114, Taiwan

Specifications subject to change without prior notice.

D-Link is a registered trademark and SecuriCam is a trademark of D-Link Corporation and its overseas subsidiaries.

All other trademarks belong to their proprietors.

Release 01 (April, 2008)