

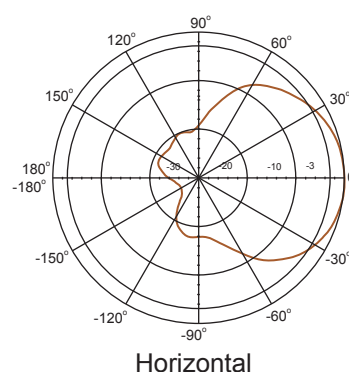
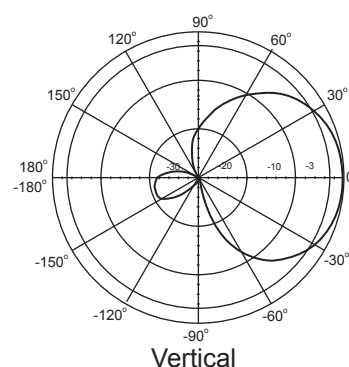
Pico Cell Patch Antenna for 2.4 GHz ISM Band

Preliminary □

ANT24-0801

Electrical Specification

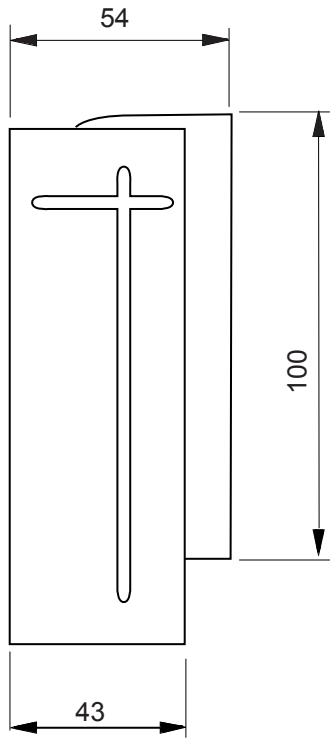
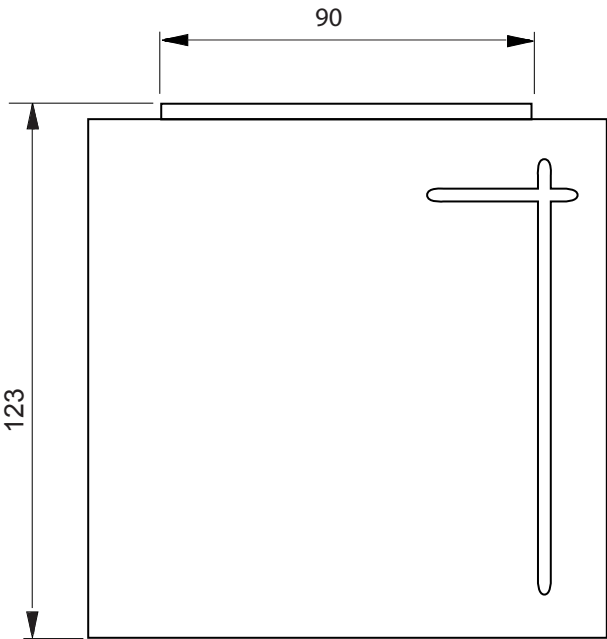
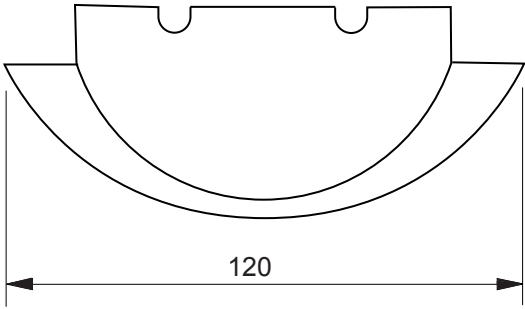
Frequency range	2300 MHz - 2500 MHz
Gain	8.5 dBi
VSWR	1.5 : 1 Max.
Polarization	Linear, vertical
HPBW / horizontal	70°
HPBW / vertical	65°
Front to back ratio	15 dB
Power handling	50 W (cw)
Impedance	50 Ohms
Connector	N - female



Environmental & Mechanical Characteristics

Survival wind speed	200 km/hr
Temperature	- 40°C to +80°C
Humidity	100% @ 25° C
Lightning protection	DC ground
Radome color	Gray-white
Radome material	ABS, UV resistant
Housing material	AL6063
Weight	0.3 kgw
Dimension	120 x 120 x 43 mm

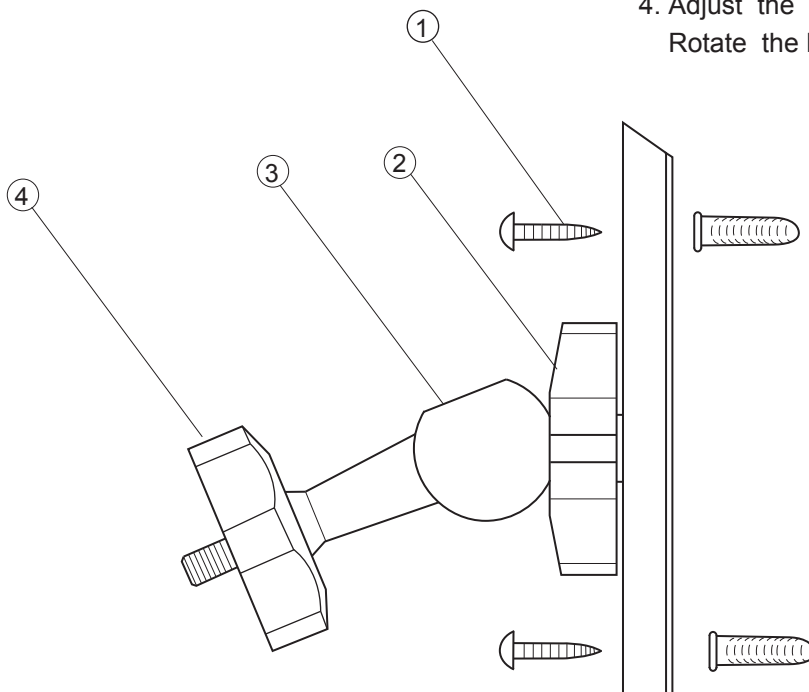
Dimensions (mm)



for 2.4 GHz

Mounting Configuration

1. Insert the tapping screw ① to fix the whole set of universal joint on the wall
2. Rotate the mounting base of the antenna to connect antenna body and universal joint
3. Fix the mounting base by rotate the rotating handle ④
4. Adjust the ball joint ③ to the convenient angle
Rotate the handle to fix the ball joint ③



- ① Taping Screw
- ② Rotate Handle
- ③ Ball Joint
- ④ Rotating Handle

Universal Joint Mounting